

# STEELMASTER TDF/TDC FLANGING MACHINE

A Must In All Serious HVAC Shops

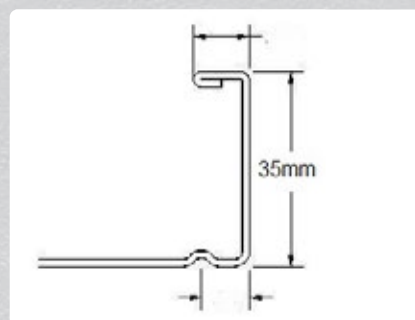
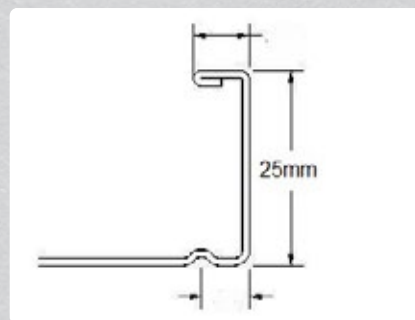


#### EQUIPMENT & ACCESSORIES SUPPLIED

25mm & 35mm high TDF profile form as fitted.

#### FEATURES

- a must for all sheetmetal, ducting and climate control fabricating workshops
- Machine fitted with both 25mm & 35mm TDF Tooling
- Heavy duty industrial built
- 16 station drive / forming system
- positive lubrication to all moving parts via grease nipples
- hardened and ground shafts with case hardened formers
- hardened sheet guides
- 6 m/min. forming speed
- large in-feed table



TECHNICAL DATA	SKU (#)	CAPACITY (MM)	STAGE	MOTOR POWER (KW)	POWER (V)	DIMENSIONS (L X W X H) (MM)	WEIGHT (KG)	PRICE (AUD)
SM-TDF-TDC-1.6	28-0109	1.6mm	16	2.2	415	2700 x 700 x 1100	1400	\$

3 ph /415 volt machinery do not come fitted with plugs as standard. GST is NOT included in the listed prices

