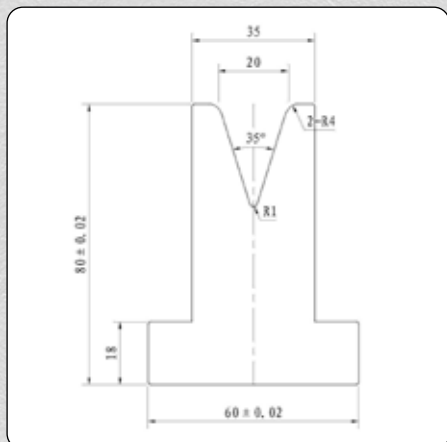


# PRESS BRAKE TOOLING

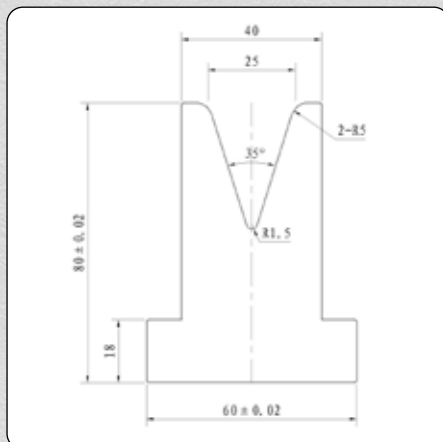
Stocking Many Types Of Tooling To Suit Almost Any Application. Call Now With Your Requirements. Most Are Available Ex-Stock And Available For Immediate Delivery!



**FEATURES**

- Euro style suits Amada etc...
- Other radius sizes available on request

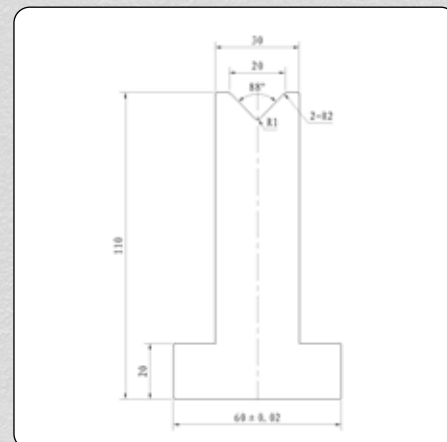
BOTTOM SINGLE VEE				
SKU	VEE (MM)	SHANK (MM)	LENGTH (MM)	PRICE
19+0668	20	18	835	\$



**FEATURES**

- Euro style suits Amada etc...
- Other radius sizes available on request

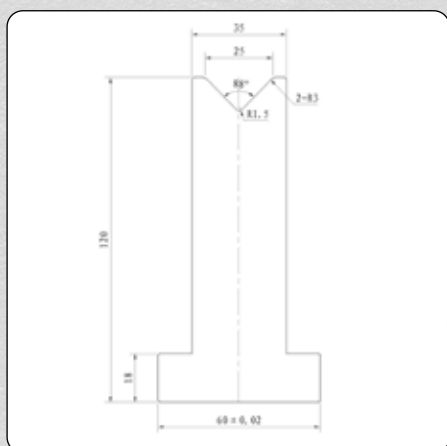
BOTTOM SINGLE VEE				
SKU	VEE (MM)	SHANK (MM)	LENGTH (MM)	PRICE
19+0669	25	18	835	\$



**FEATURES**

- Euro style suits Amada etc...
- Other radius sizes available on request

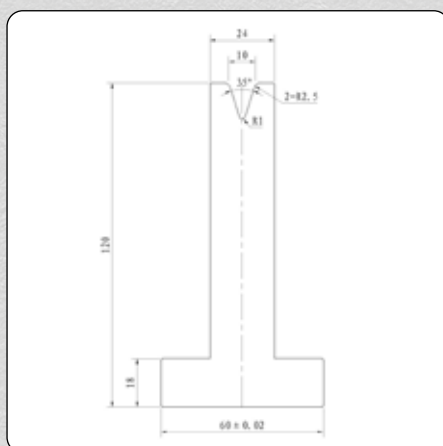
BOTTOM SINGLE VEE				
SKU	VEE (MM)	SHANK (MM)	LENGTH (MM)	PRICE
19+0670	20	20	835	\$



**FEATURES**

- Euro style suits Amada etc...
- Other radius sizes available on request

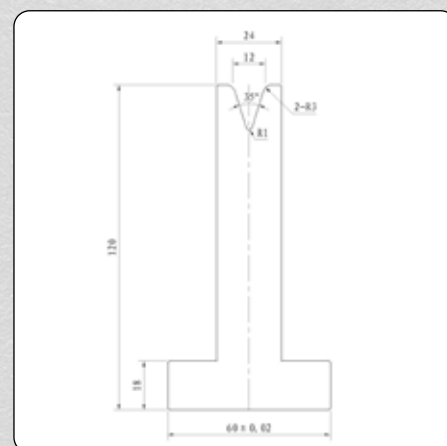
BOTTOM SINGLE VEE				
SKU	VEE (MM)	SHANK (MM)	LENGTH (MM)	PRICE
19+0671	25	18	835	\$



**FEATURES**

- Euro style suits Amada etc...
- Other radius sizes available on request

BOTTOM SINGLE VEE				
SKU	VEE (MM)	SHANK (MM)	LENGTH (MM)	PRICE
19+0672	35	18	835	\$



**FEATURES**

- Euro style suits Amada etc...
- Other radius sizes available on request

BOTTOM SINGLE VEE				
SKU	VEE (MM)	SHANK (MM)	LENGTH (MM)	PRICE
19+0673	12	18	835	\$