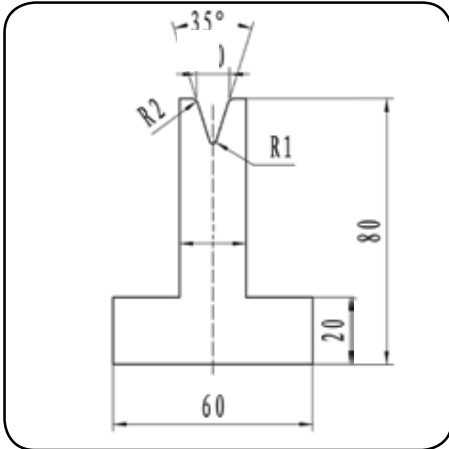


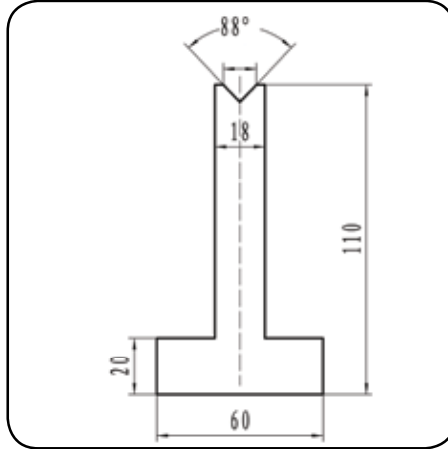
# PRESS BRAKE TOOLING

Stocking Many Types Of Tooling To Suit Almost Any Application. Call Now With Your Requirements. Most Are Available Ex-Stock And Available For Immediate Delivery!



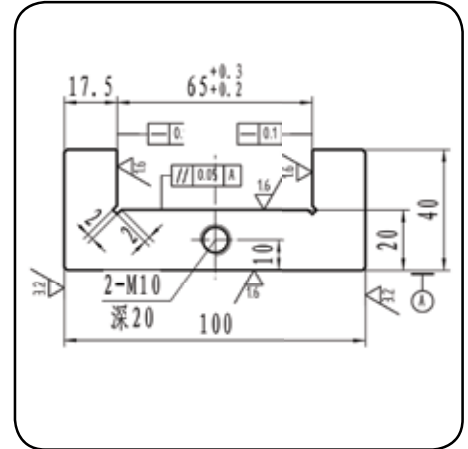
**Features**

- ! Euro style suits Amada etc...
- ! In stock for on demand delivery



**Features**

- ! Euro style suits Amada etc...
- ! Other radius sizes available on request



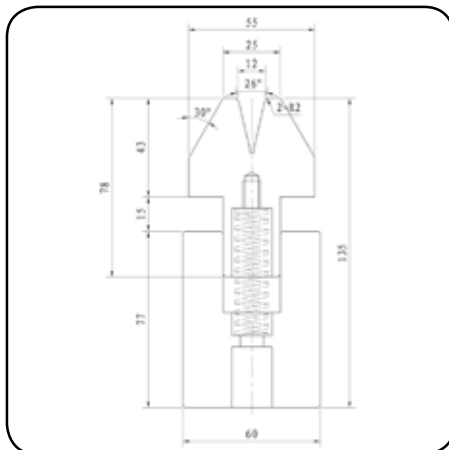
**Features**

- ! Euro style suits Amada etc...
- ! In stock for on demand delivery

BOTTOM SINGLE VEE				
SKU	VEE (MM)	SHANK (MM)	LENGTH (MM)	PRICE
19+0241	10	20	835	\$
19+0258	12	20	835	\$
19+0240	16	30	835	\$

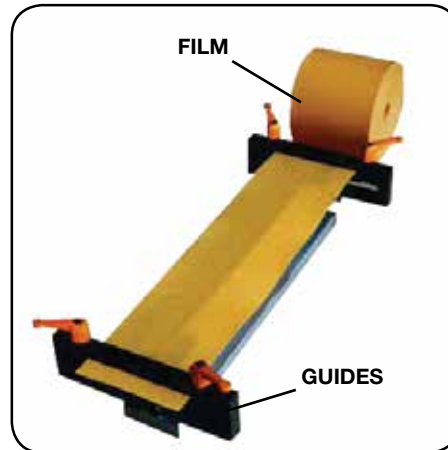
BOTTOM SINGLE VEE				
SKU	VEE (MM)	SHANK (MM)	LENGTH (MM)	PRICE
19+0259	10	18	835	\$
19+0260	12	18	835	\$
19+0261	16	20	835	\$

DIE BLOCK CRADLE TO SUIT 60MM TOOLING			
SKU	TOOL TO SUIT (MM)	LENGTH (MM)	PRICE
19+0247	60	2500	\$
19+0161	60	3200	\$
19+0246	60	4000	\$



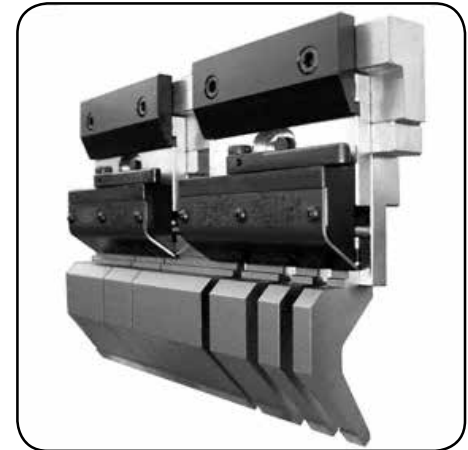
**Features**

- ! Quality pressbrake tooling
- ! In stock for on demand delivery



**Features**

- ! Quality Die Film to protect your steel.
- ! Guides to measure & cut Die Film



**Features**

- ! Quality pressbrake tooling
- ! In stock for on demand delivery

FOLD AND CRUSH			
SKU	SIZE (MM)	LENGTH (MM)	PRICE
19+0268	60 x 135	500	\$

DIE FILM & GUIDES			
SKU	SIZE (MM)	LENGTH (MM)	PRICE
19#0651	Tensioner/Guides		\$
19#0650	100	1000	\$
19#0660	150	1000	\$

QUICK ACTION TOOL CLAMP HOLDER		
SKU	DESC	PRICE
19+0199	3 pce set	\$
19+0193	kit to suit 3200mm	\$
19+0194	kit to suit 4000mm	\$

3 ph /415 volt machinery do not come fitted with plugs as standard. GST is NOT included in the listed prices



ASSET PLANT & MACHINERY PTY LTD  
8 Capital Drive, Dandenong VIC 3175

Tel : (03) 8710-8088  
Fax : (03) 8710-8044

Web : [www.assetplant.com](http://www.assetplant.com)  
Email : [sales@assetplant.com](mailto:sales@assetplant.com)